

The GENESIS™

Product Range

TECHNICAL SPECIFICATION 1/4

GENERAL PRODUCT DIMENSIONS

Dimensional Information:

Console Depth: worksurface nosing to rearmost point = 38" (965 mm)
 Console Height: Finished floor to top surface of fixed worksurface = 28 1/2" (724 mm)
 Console Height: Finished floor to top surface of typical single tier monitor = 46 1/2" (1,181 mm).

Equipment Capacity:

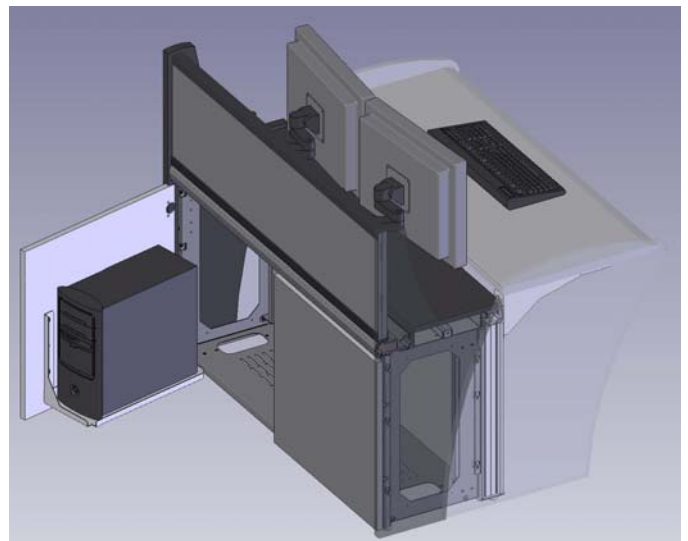
Monitor Space

Maximum monitor size is limited only by the desired console module length (ex. If 72" (1,830 mm) module length is required then maximum monitor case width would be 3 @ 21" (533 mm) diagonal or 4 @ 18" (457 mm) diagonal).

Processor Space

Shelf Type	Fixed	Door Mounted	Slide-out
Maximum processor			
Width	12" (305 mm)	8 1/2" (216 mm)	12" (305 mm)
Depth	20 1/2" (521 mm)	17 1/2" (445 mm)	18 1/2" (470 mm)
Height	22" (559 mm)	20 1/2" (521 mm)	20 1/2" (521 mm)

Note: the above information represents typical dimensions. The cross-sectional dimensions and components of the GENESIS™ console system can be extended to match any equipment requirements.



MATERIAL AND PERFORMANCE SPECIFICATION

Console Structure

Typical GENESIS console system consists of the following components:

Extrusions (Aluminum Alloy)

The structural extrusions are constructed of thick wall, custom profile extruded aluminum. The structural extrusions shall be cut to length within a manufacturing tolerance of: linear +0, -1/32", angular +/- 0.25 degrees.

Other structural assembly components

Precision-tooled cold-rolled steel (C.R.S.) is used for structural components such as processor cabinet frames and structural gussets. All surfaces are finished with a highly durable electrostatic Powdercoat finish. Manufacturing tolerances on the structural sheetmetal components are linear: +/- 0.020" angular +/- 0.25 degrees.

Console Structure – Other

GENESIS is fully compliant with and has been successfully **tested to ANSI/BIFMA X5.5-2008 standard**. Test report is available upon request.

TYPICAL CONSOLE ATTACHMENTS

Worksurface Support Arm

Material: 10 gauge Cold Rolled Steel
Finish: Black Powdercoat

Console Support Foot

Material: 10 gauge Cold Rolled Steel
Finish: Black Powdercoat

Monitor Support deck:

Removable to provide access to the cable trays
Material: 5/8" MDF with high pressure laminate surfaces
Capacity: 300 lbs

Note: other materials or colours available upon request

TYPICAL COMPONENTS:

Accessory Beam:

The accessory Beam is constructed of thick wall, custom profile extruded aluminum. It is mounted at the back of the console frame and supports all accessories such as monitor arms, tasklights and telephone shelves. Accessories may be installed anywhere along the Beam and may easily be moved after initial installation. It also supports optional saltwalls and privacy panels.

Processor Shelves:

Material:	Fixed:	14 gauge cold rolled steel (CRS)
	Door Mounted:	14 gauge CRS
	Slide-out:	14 ga CRS + Industrial Accuride Slides
Capacity:	Fixed:	100 lbs. (per std 24" module)
	Door Mounted:	50 lbs. (per shelf)
	Slide-out:	90 lbs. (per shelf)
Finish:	Black Powder Coat	

Rackmount Kits: (19" - 483 mm wide rackmount)

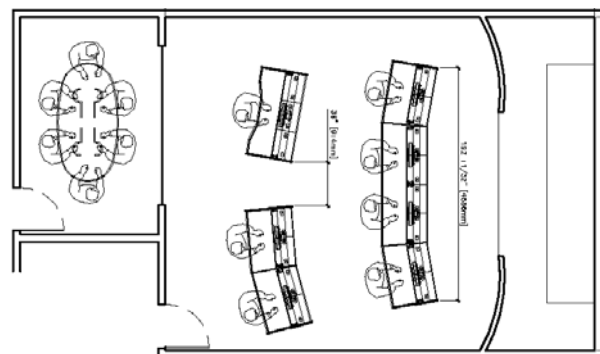
Internal kit (undercounter) = 10 Rack Units (17^{1/2}" - 445 mm)
Full Upper rack mount Kit = 8 RU (14" - 356 mm)
Partial Upper "turret" rackmount Kit = 2 RU (3^{1/2}" - 89 mm)
Material: 12 gauge cold rolled steel
Finish: Black Powdercoat

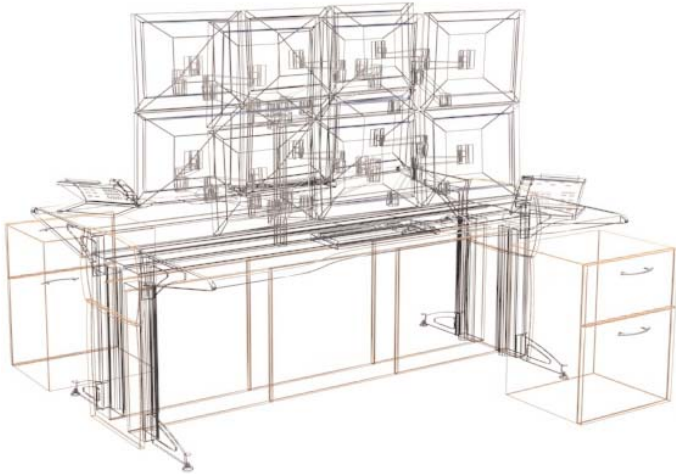
Power Bars (Domestic):

6 Outlets
Rated: 15 amps – 125VAC

Cable management:

The standard built-in dual cable management system is designed to accommodate two 2" x 3^{3/4}" (51 x 95 mm) wiring runs.





WORKSURFACES

The rigid Genesis worksurface is designed to provide a smooth level workspace. It complies with accepted human factors criteria. All ergonomic standards have been taken into consideration including knee well space, view/reach distances and keyboard height. The optional adjustable worksurface provides further flexibility by allowing for variable height positioning within a 8" (203 mm) range (25 1/2" to 33 1/2 [648 mm to 851 mm] from the nominal 28 1/2" [724 mm] high fixed worksurface position). Both fixed and adjustable worksurface configurations comply with US Federal Government ADA accessibility regulations.

Materials:

1" particle Board, high pressure plastic laminate face surfaces
- nominal thickness: 1.2 mm (0.048")

Static Load: 50 lb./ linear ft. (74 kg / linear m)
Maximum per adjustable worksurface is 250 lbs (112.5kg).

note: custom finishes and materials are also available for the worksurface

CLADDING OPTIONS (PANELS)

Hinged door panels:

Standard: Standard: 11/16" (17.5 mm) particle board with high pressure laminate faces & edges.
Optional: 18 gauge steel, wood veneer or other finish materials as may be specified.

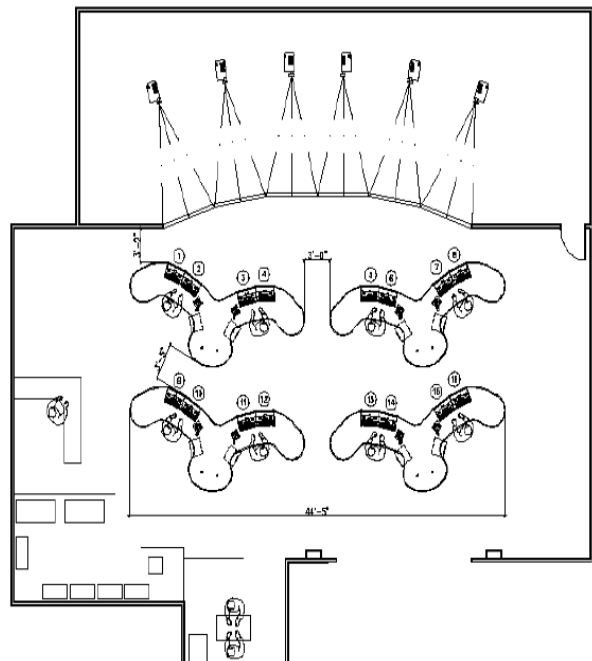
Modesty Panels:

Standard: Standard: 11/16" (17.5 mm) particle board with high pressure laminate faces & edges.
Optional: 18 gauge steel, wood veneer or other finish materials as may be specified.

Privacy Panel Options:

15" (381 mm) high Panel:
Front with Slatwall - Back with HPL
Front with Fabric - Back with HPL
Front - Back with Fabric
Front - Back with HPL
Glass or Plexiglas

16 gauge perforated pattern steel curved panel
16 gauge sheetmetal panel with fabric wrapped tackable core
Plastic laminate, wood veneer or other finish materials as may be specified.



SIT/STAND DESIGN

- The SIT/STAND option is an add-on module to the base Genesis console and therefore retains the standard Genesis desktop look.
- The workstations may be built in straight or radial (curved) modules.
- The modules may be stand-alone or be grouped together in work clusters as may be required.

ACTUATOR SYSTEM

- The system is capable of lifting a total of 540 lbs (245 kg) with 2 actuators, 810 lbs (367 kg) with 3 actuators and 1,080 lbs (490 kg) with 4 actuators.
- Worksurface may consist of a single deck or dual decks operating independently.
- Range of travel is 20" (508 mm): 28 1/2" (724 mm) above floor to 48 1/2" (1232 mm) above floor.
- Speed of travel under load is 1 3/4" per second (45mm per second). It takes approximately 11 seconds for the total range of travel.
- Lift system operation is virtually silent.

EQUIPMENT CAPACITY

- Lower processor cabinet equipment capacity is the same as standard Genesis console.
- For single worksurface option, the Accessory Beam is attached to the back of the Worksurface. LCD monitors arms and accessories (such as Tasklight, Telephone shelf) are attached to and may be positioned anywhere along the Accessory Beam.

CABLE MANAGEMENT

- Cable capacity is same as the standard Genesis product module. The vertical travel of monitor and desktop accessory cables is managed via flexible cable chains.

SAFETY ERGONOMICS

- Sufficient space has been allowed between passing objects such that Pinch points do not exist.
- The range of travel is appropriate to accommodate 95% of the standard north American population (5th percentile female to 95th percentile male).
- The optional "memory button" switch allows end-users to program preferred sitting and standing positions.
- The SIT/STAND option provides for a suitable ADA working environment.

