

The PROCESS™

Product Range

TECHNICAL SPECIFICATION 1/4

INTRODUCTION

The PROCESS Console System by Adaptaspace has been designed to withstand the rigors of 24/7, intensive use environments while incorporating the latest 'best practices' in ergonomic work station design in a very flexible, highly durable and architecturally aesthetic console system.

The PROCESS Console System provides Adaptaspace with the flexibility to respond to project specific requirements at time of initial design, configuration, and installation; while providing our customers with the potential to adapt to future growth resulting from evolving operational and technological requirements. Our cost effective, modular approach ensures our customers realize the best value for their control room furniture investment during the operational life of the control room facility.

GENERAL PRODUCT DIMENSIONS

Standard Dimensional Information:

Console Depth: worksurface nosing to rearmost point = 38" (965 mm)

Console Height: Floor to top of fixed worksurface = 28 1/2" (724 mm)

Console Height: Floor to top of single tier monitor = 46 1/2" (1,181 mm)

Equipment Capacity:

Monitor Space

Maximum monitor size is limited only by the desired console module length (ex. if 72" (1,830 mm) module length is required then maximum monitor case width would be 3 @ 21" (533 mm) diagonal or 4 @ 18" (457 mm) diagonal).

Processor Space

Shelf Type	Fixed	Door Mounted	Slide-out
Maximum processor			
Width	12" (305 mm)	8 1/2" (216 mm)	12" (305 mm)
Depth	20 1/2" (521 mm)	17 1/2" (445 mm)	18 1/2" (470 mm)
Height	22" (559 mm)	20 1/2" (521 mm)	20 1/2" (521 mm)

Note: the above information represents typical dimensions. The cross-sectional dimensions and components of the PROCESS™ console system can be extended to match any equipment requirements.



MATERIAL AND PERFORMANCE SPECIFICATION

Console Structure

Typical PROCESS console system consists of the following components:

Extrusions (Aluminum Alloy)

The structural extrusions are constructed of thick wall, custom profile extruded aluminum. The structural extrusions shall be cut to length within a manufacturing tolerance of: linear +0, -1/32", angular +/- 0.25 degrees.

Other structural assembly components

Precision-tooled cold-rolled steel (C.R.S.) is used for structural components such as processor cabinet frames and structural gussets. All surfaces are finished with a highly durable electrostatic powdercoat finish. Manufacturing tolerances on the structural sheetmetal components are linear: +/- 0.020" angular +/- 0.25 degrees.

Console Structure - Other

PROCESS is fully compliant with and has been successfully [tested to ANSI/BIFMA X5.5-2008 standard](#). Test report is available upon request.

TYPICAL CONSOLE ATTACHMENTS

Worksurface Support Arm

Material: 10 gauge Cold Rolled Steel
Finish: Black Powdercoat

Console Support Foot

Material: 10 gauge Cold Rolled Steel
Finish: Black Powdercoat

Removable Cable Access Panel:

Standard on sit/stand configuration; Optional on fixed configuration
Removable to provide access to the cable trays
Material: 1" MDF with high pressure laminate surfaces
Capacity: 300 lbs

Note: other materials or colours available upon request

TYPICAL COMPONENTS:

Accessory Beam:

Adaptaspace's rear accessory mounting beam is constructed of thick wall, custom profile extruded aluminum. It is mounted at the back of the console frame and supports all accessories such as monitor arms, task-lights and telephone shelves. Accessories may be installed anywhere along the beam and may easily be moved after installation. It also supports optional slatwalls and privacy panels.

Processor Shelves:

Material:	Fixed:	14 gauge cold rolled steel (CRS)
	Door Mounted:	14 gauge CRS
	Slide-out:	14 ga CRS + Industrial Accuride Slides
Capacity:	Fixed:	100 lbs. (per std 24" module)
	Door Mounted:	50 lbs. (per shelf)
	Slide-out:	90 lbs. (per shelf)
Finish:		Black Powder Coat

Rackmount Kits: (19" - 483 mm wide rackmount)

Internal kit (inside cabinet) = 10 Rack Units (17^{1/2}" - 445 mm)
Full Upper rackmount kit = 8 RU (14" - 356 mm)
Partial Upper rackmount kit = 2 RU (3^{1/2}" - 89 mm)
Material: 12 gauge cold rolled steel
Finish: Black Powdercoat

Power Bars (Domestic):

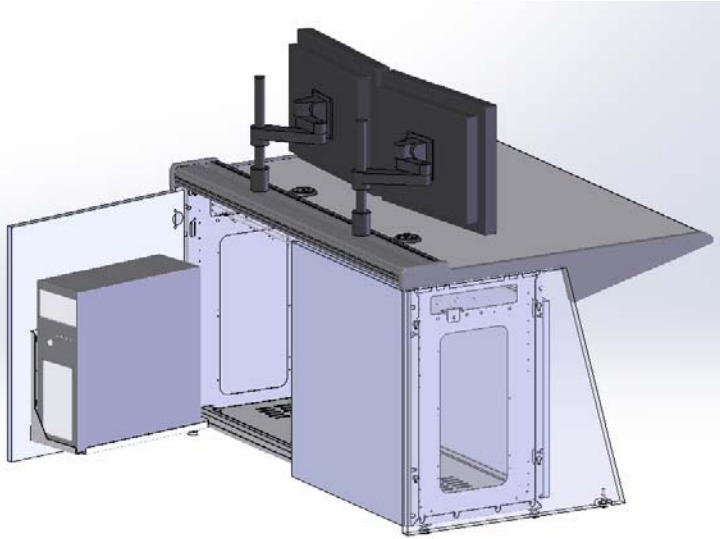
Standard: 15 amps - 125VAC; 6 Outlets with 6' Cord, CSA & UL Listed
Optional: 20 amps - 125VAC with NEMA 5-20P or L5-20P outlets

Cable management:

Each PROCESS console module has built-in cable management that provides continuous cable management along the entire length of the console.

The standard built-in cable management system is designed to accommodate one 1" x 4^{1/2}" (25 x 114 mm) wiring run.

Optional: Second cable tray for additional wiring run or power/data separation



WORKSURFACES

The rigid PROCESS worksurface is designed to provide a smooth level workspace. It complies with accepted human factors criteria and all ergonomic standards have been taken into consideration including knee well space, view/reach distances and keyboard height. The optional sit/stand height adjustable worksurface provides further flexibility by allowing for variable height positioning within a 25 1/2" (648 mm) range (28 1/2" to 54" [724 mm to 1352 mm] from the nominal 28 1/2" [724 mm] high fixed worksurface position). Both fixed and height adjustable worksurface configurations comply with US Federal Government ADA accessibility regulations.

Materials:

1" particle Board with high pressure plastic laminate face surfaces
- nominal thickness: 1.2 mm (0.048")

Front edge: waterfall molded high impact PVC (soft rubber) nosing.

Static Load: 50 lb./ linear ft. (74 kg / linear m)
Maximum per adjustable worksurface 540 lbs (245 kg) with 2 actuators, 810 lbs (367 kg) with 3 actuators and 1,080 lbs (190 kg) with 4 actuators.

Note: custom finishes and materials are also available for the worksurface

CLADDING OPTIONS (PANELS)

Hinged door panels:

Standard: Standard: 11/16" (17.5 mm) particle board with high pressure laminate faces & edges.

Optional: 18 gauge steel, wood veneer or other finish materials as may be specified.

End Gables:

Standard: Standard: 11/16" (17.5 mm) particle board with high pressure laminate faces & edges.

Optional: 14 gauge steel, wood veneer or other finish materials as may be specified.

Privacy Panel Options:

6" to 18" (152 mm to 457 mm) high Privacy Panel:

Standard: Standard: 11/16" (17.5 mm) particle board with high pressure laminate faces

Optional: Front with Slatwall - Back with HPL
Front with Fabric - Back with HPL
Front and Back with Fabric
Front and Back with HPL
Glass or Plexiglas

Custom panel materials are available – curved 14 gauge steel, wood veneer or other finish materials as may be specified.



SIT/STAND WORKSURFACE

- The SIT/STAND electric height adjustable worksurface option is available for the base PROCESS console and retains the standard PROCESS desktop look.
- The workstations may be built in straight or radial (curved) modules.
- The modules may be stand-alone or be grouped together in work clusters as may be required.

ACTUATOR SYSTEM

- The system is capable of lifting a total of 540 lbs (245 kg) with 2 actuators, 810 lbs (367 kg) with 3 actuators and 1,080 lbs (490 kg) with 4 actuators.
- Worksurface may consist of a single deck or dual front and rear deck operating independently.
- Range of travel is 25 1/2" (648 mm): 28 1/2" (724 mm) above floor to 54" (1352 mm) above floor.
- Speed of travel under load is 1 1/2" per second (38mm per second). It takes approximately 17 seconds for the total range of travel.
- Lift system operation is virtually silent.

EQUIPMENT CAPACITY

- Lower processor cabinet equipment capacity is the same as standard PROCESS console.
- For single worksurface option, the Rear Accessory Mounting Beam is attached to the back of the worksurface. LCD monitors arms and accessories (such as Tasklight, Telephone shelf) are attached to and may be positioned anywhere along the Rear Accessory Beam.

CABLE MANAGEMENT

- Cable capacity is same as the standard PROCESS module. The vertical travel of monitor and desktop accessory cables is managed via flexible vertical cable chains.

SAFETY ERGONOMICS

- Sufficient space has been allowed between passing objects such that pinch points do not exist.
- The range of travel is appropriate to accommodate 95% of the standard north American population (5th percentile female to 95th percentile male).
- The optional "memory button" switch allows end-users to program preferred sitting and standing positions.
- The SIT/STAND worksurface option provides for a suitable ADA working environment.

